

PRODUCT INFORMATION PACKET

Model No: 5K49MN6126T

Catalog No: K1487

1/3 HP Three Phase HVAC/R Motor, 3 phase, 1200 RPM, 200-230/460 V, 56 Frame, TENV
Three Phase Motors



Nameplate Specifications

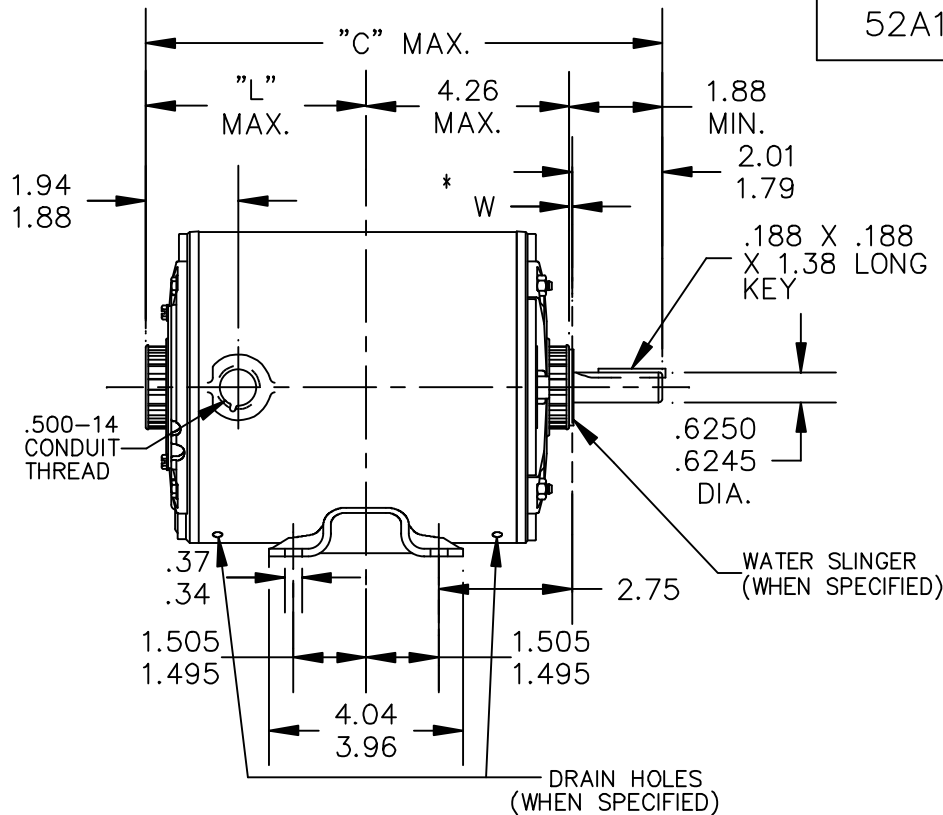
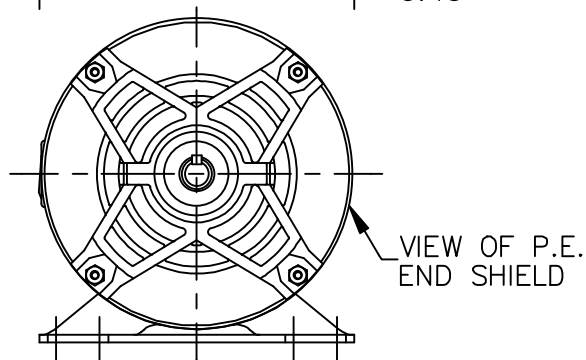
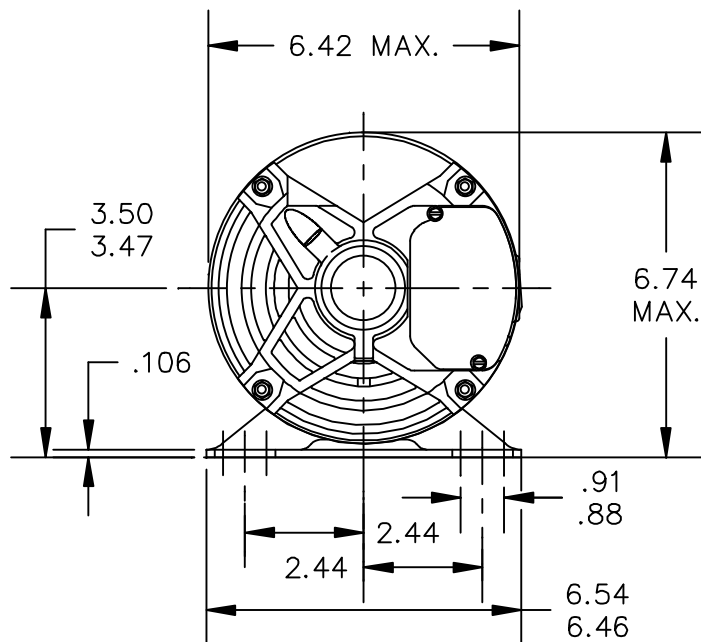
Output HP	0.33 Hp	Output KW	0.25 kW
Frequency	60 Hz	Voltage	200-230/460 V
Current	2.1-2.0,1.0 A	Speed	1140/950 rpm
Service Factor	1.5	Phase	3
Efficiency	69.9 %	Power Factor	0
Duty	Continuous	Insulation Class	B
KVA Code	P	Frame	56
Enclosure	Totally Enclosed Non Ventilated	Thermal Protection	AUTO
Ambient Temperature	65 °C	Drive End Bearing Size	6203
Opp Drive End Bearing Size	6203	UL	Recognized
CSA	Yes	CE	N

Technical Specifications

Electrical Type	Three Phase	Starting Method	N/R
Poles	6	Rotation	Counterclockwise/Clockwise
Mounting	Rigid Base	Motor Orientation	ANY
Drive End Bearing	BALL	Opp Drive End Bearing	Ball
Frame Material	Rolled Steel	Overall Length	10.38 in
Frame Length	6.15 in	Shaft Diameter	0.630 in
Shaft Extension	1.88 in	Thru-bolts Extension	0 in
Outline Drawing	52A109628P2	Connection Drawing	113A423

This is an uncontrolled document once printed or downloaded and is subject to change without notice. Date Created:03/11/2020

52A109628



ALL DIMENSIONS ARE IN INCHES

7	K	49	56	9.57	3.41		5.34
6	K	48	56	12.66	6.50		8.43
5	K	49	56	11.91	5.75		7.68
4	K	49	56	11.38	5.22		7.15
3	K	46	56	10.78	4.62		6.55
2	K	49	56	10.38	4.22		6.15
1	K	42	56	9.95	3.79		5.72
P	TYPE	RBC SIZE	NEMA FR.	"C"	"L"		MIN. SHELL

* W IS A VARIABLE CLEARANCE DUE TO VARIATIONS IN PARTS AND ASSEMBLY

				TOLERANCES UNLESS SPECIFIED		DRAWN M.D.P 06/03/94			
				DEC.	INCHES	CHK			
				.X	±0.1	APPD M.D.P 06/03/94			
5	REDRAWN IN DRAFT SIGHT	UD	10/08/12	PKG	.XX	±0.02	SCALE 1=1		
4	CHG TO RBC FORMAT PER ISO5-1777	SD	03/21/06		.XXX	±0.005	REF		
3	ADDED DRAIN HOLES.	M.D.P	08/18/95		.XXXX	±0.0005	FMF		
NO.	REVISION	BY & DATE	CHK	ANG	±1.0	FINISH	PREV		
THIS DRAWING IN DESIGN AND DETAIL IS OUR PROPERTY AND MUST NOT BE USED EXCEPT IN CONNECTION WITH OUR WORK ALL RIGHTS OF DESIGN AND INVENTION ARE RESERVED THIS IS AN ELECTRONICALLY GENERATED DOCUMENT - DO NOT SCALE THIS PRINT				RFP	CAD FILE	52A109628	SIZE	DRAWING NO.	REV.
				DIST			A	52A109628	5



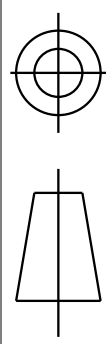
REGAL-BELOIT CORPORATION

TITLE OUTLINE
TENV - BALL BEARING - WELDED BASE FMF - 40 FRAME REDESIGN(5K49SN4095)

REVISIONS

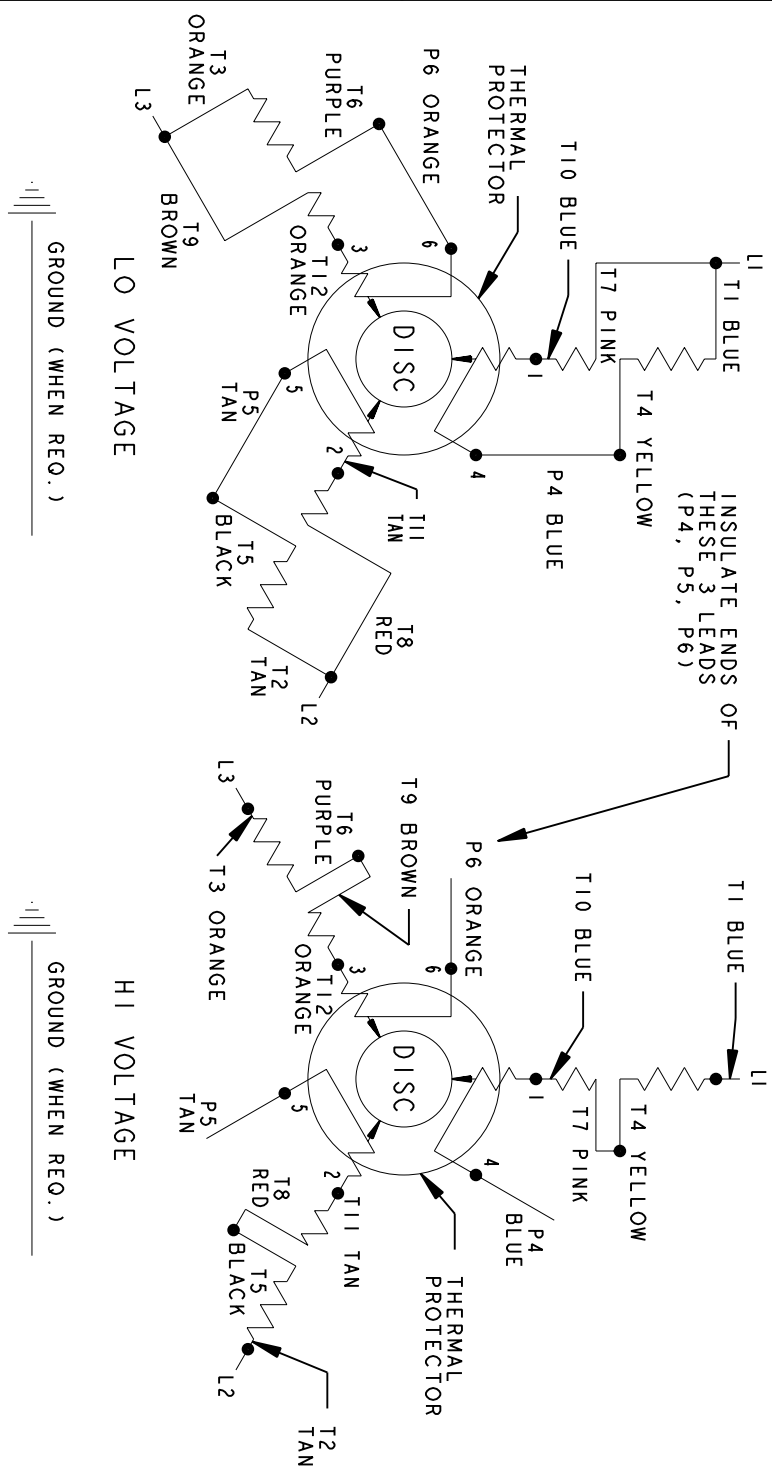
REV.	DESCRIPTION	DATE	APPROVED
7	LO VOLTAGE: "T8 RED" WAS "T3 RED"	09/25/92	BLJ
8	LABEL WAS 185178	04/04/95	M.A.M.
9	CHG TO RBC FORMAT PER IS05-1777	06/13/06	SUDHA

This document is the property of REGAL-BELOIT CORPORATION ("RBC") including its subsidiaries and divisions and contains proprietary information of RBC. This document is loaned on the express condition that neither the recipient nor any other person shall be permitted to disclose or disseminate the information contained herein without the express written consent of RBC. This document shall be returned to RBC upon its request. This document may be subject to certain restrictions under U.S. export control laws and regulations.



THIRD ANGLE PROJECTION

TYPE K - DUAL VOLTAGE - THREE PHASE -
I2 LEAD WDG. - I2 LEADS OUT - THERMAL PROTECTION



NOTE #1 - TO REVERSE ROTATION, INTERCHANGE THE EXTERNAL CONNECTIONS TO ANY TWO LINE LEADS.

LABEL - NP185178AA

FOR ADDITIONAL INFO REFER TO:	
APPLIED PRACTICES	MODEL
DIMENSIONS ARE IN INCHES	DETAIL
TOLERANCE ON: 1 PL DECIMALS ± 0.1 2 PL DECIMALS ± 0.02 3 PL DECIMALS ± 0.005	CHECKED
ANGLES ± 1.0	ENGRG
FRACTIONS ±	MF/G
FINISH	QUALITY
	ISSUED

REGAL-BELOIT CORPORATION

DIAGRAM - CONNECTION
TYPE K MOTORS

SIGNATURES		DATE
G.A. HILLSMIER		01/05/96
B.L.J.		05/12/92

SCALE: 1.000 REF. No.: .

SIZE: DRAWING A

113A423 9

SHEET 1 of 1